

6,00 m
max.

1,05 m
21 kg



TAKE
AWAY



CAIS
INNOVATION

KOVO POLOTOVARY.CZ



TWIN DRIVE - MANUAL

TWIN DRIVE 6.0

BI-FOLDING DOUBLE LEAF
SWING GATE HARDWARE
SPACE-SAVING FEATURE
MAX. 3.0 m SINGLE LEAF
SINGLE LEAF MAX. 110 kg
HINGES NOT INCLUDED

CODE: 1710901

TWIN DRIVE 3.0

BI-FOLDING SINGLE LEAF
SWING GATE HARDWARE
SPACE-SAVING FEATURE
MAX. 3.0 m SINGLE LEAF
SINGLE LEAF MAX. 110 kg
HINGES NOT INCLUDED

CODE: 1710902



NO WELDING
NEEDED



TRACKLESS
BI-FOLDING



SPACE SAVING
FEATURE
- 50% BACK SPACE



COMPACT
PACKAGE



EASY
ASSEMBLING



EASY
TRANSPORT



FAST
NO WELDING



FOR RESIDENTIAL
USE ONLY



EASY TELESCOPIC
ADJUSTMENT



TAKE
AWAY



SUITABLE FOR
ASYMMETRIC LEAFS
100% + 50%



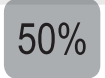
HIGH QUALITY
GUARANTEED



SUITABLE FOR
ALL STANDARD HINGES
WITH SINGLE AXEL



CAIS
INNOVATION



WIND RESISTANCE
MAX. 50%
LEAF CLOSURE



90° MAX. ANGLE



SUITABLE FOR
ALL STANDARD
SWING GATE
OPERATORS



BOTTOM FIXED LEAF
SAFETY FEATURE



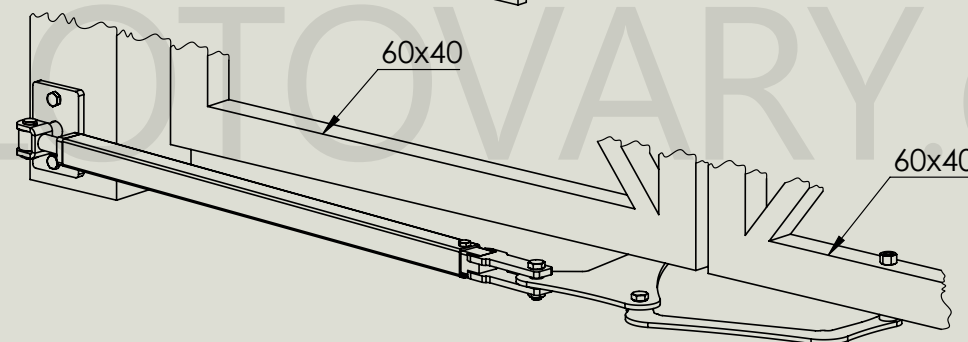
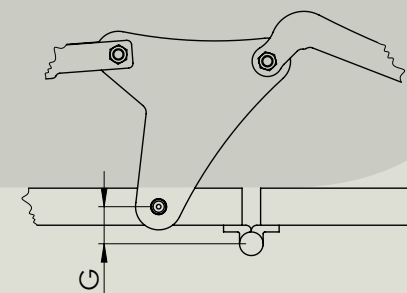
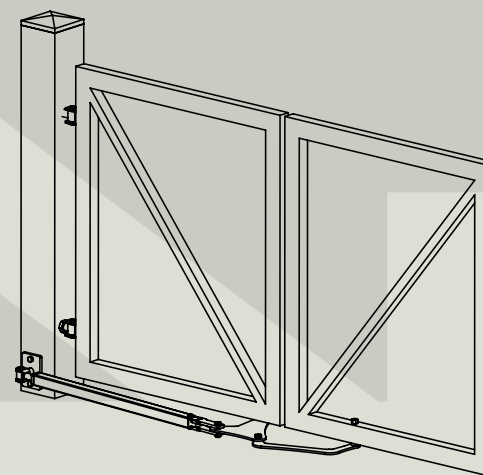
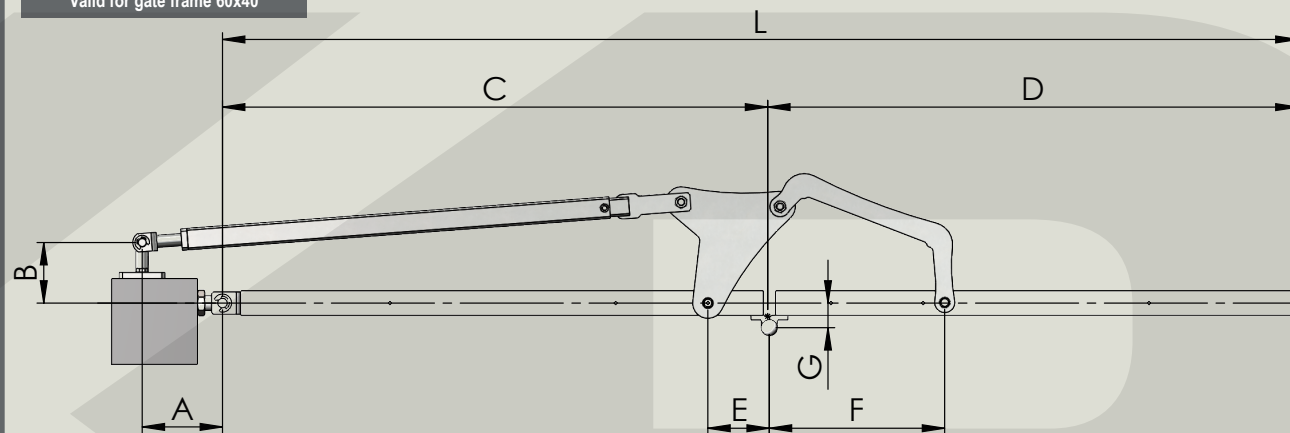
- 37°C
TESTED & PROVEN

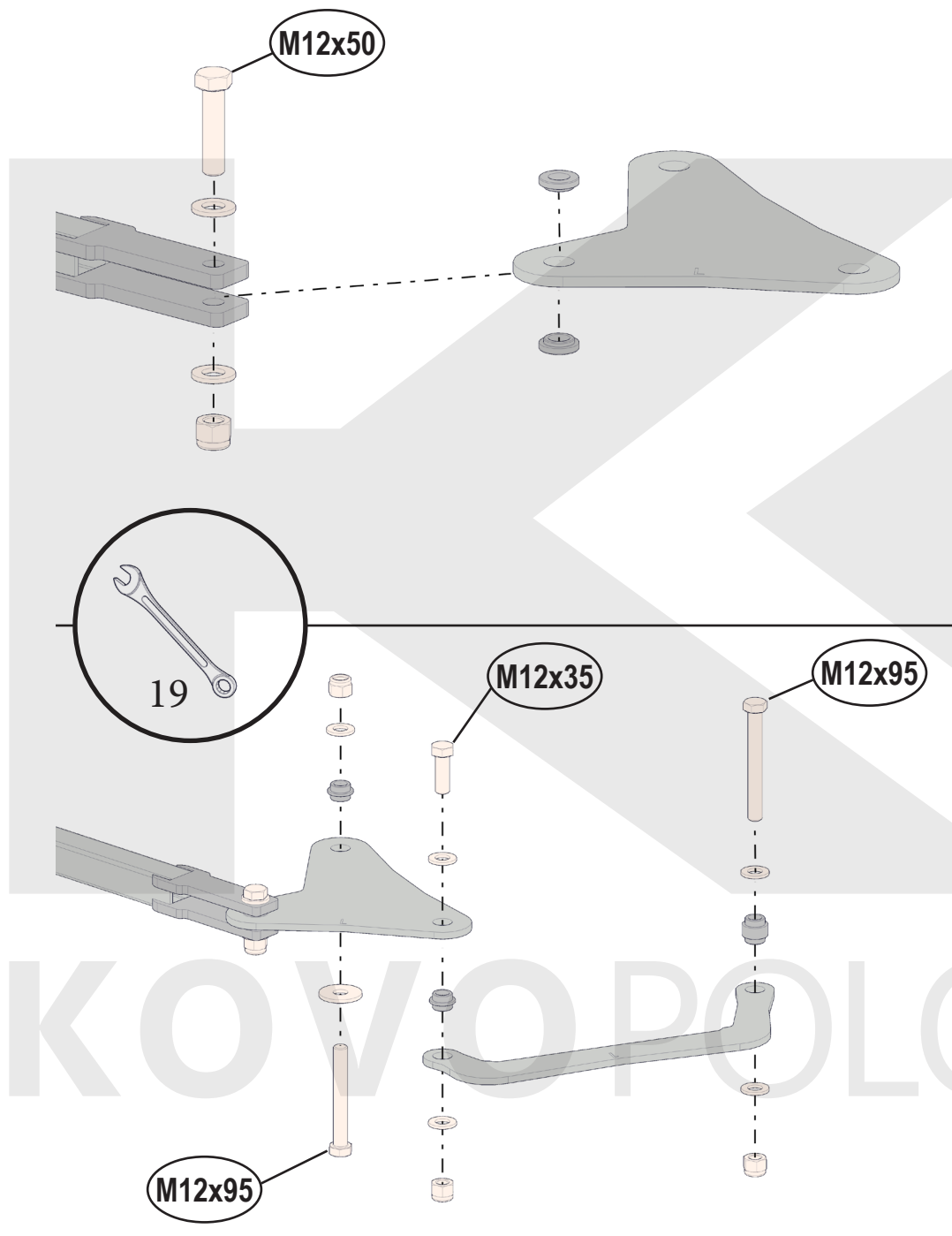


+ 50°C
TESTED & PROVEN

L max.	A	B	C min. / max.	D min. / max.	E	F	G
mm							
3000	130	90	1000 – 1500	300 – 1500	100	250	40

Valid for gate frame 60x40



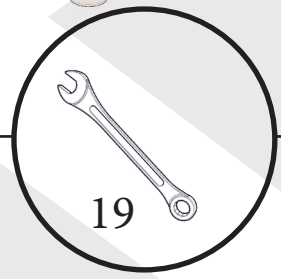
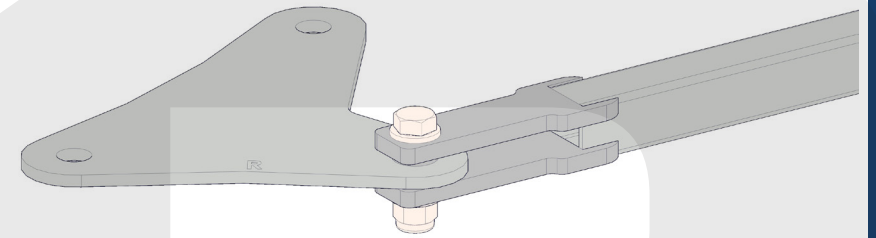
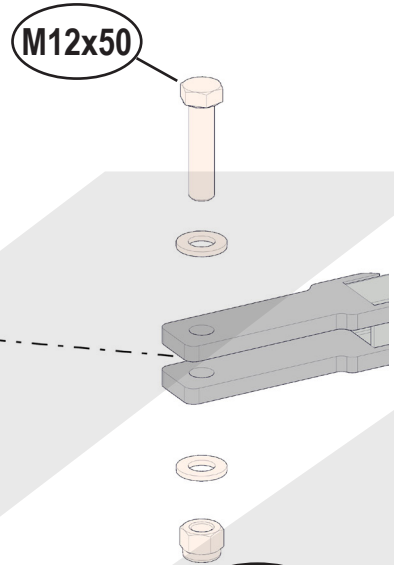


LEFT <<<

STEP 1 (A) - LEFT

KOVOPOLOTOVARY.CZ

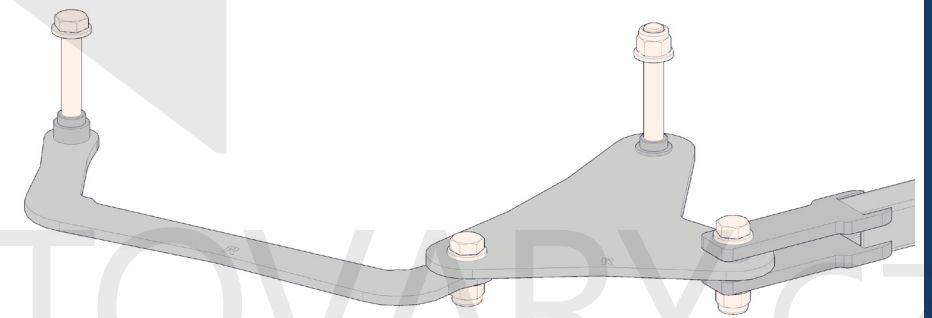
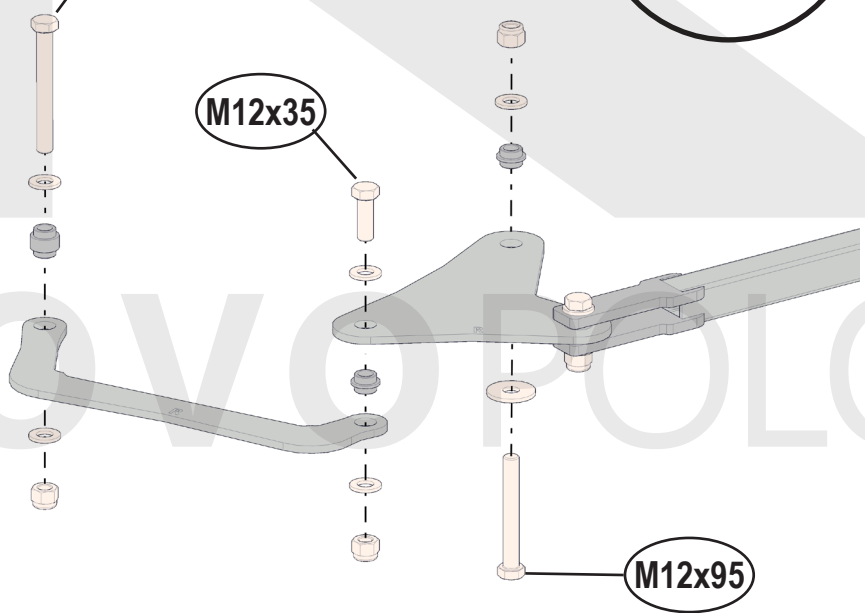
RIGHT >>>



M12x95

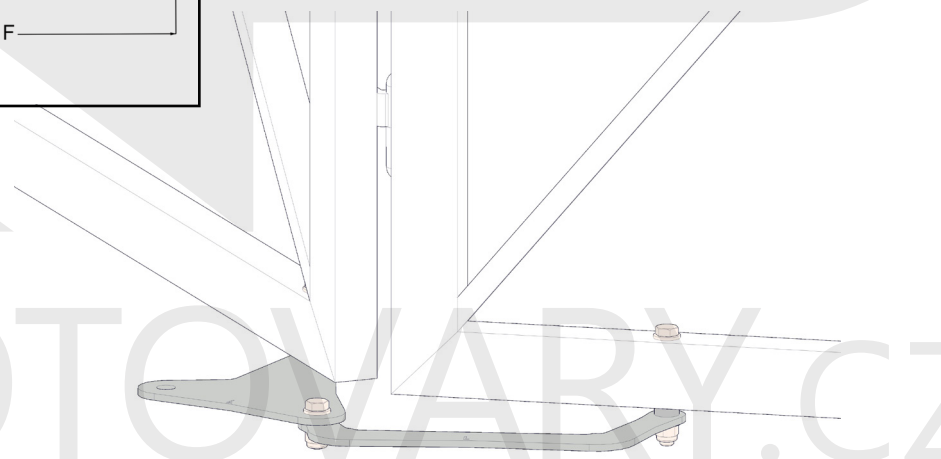
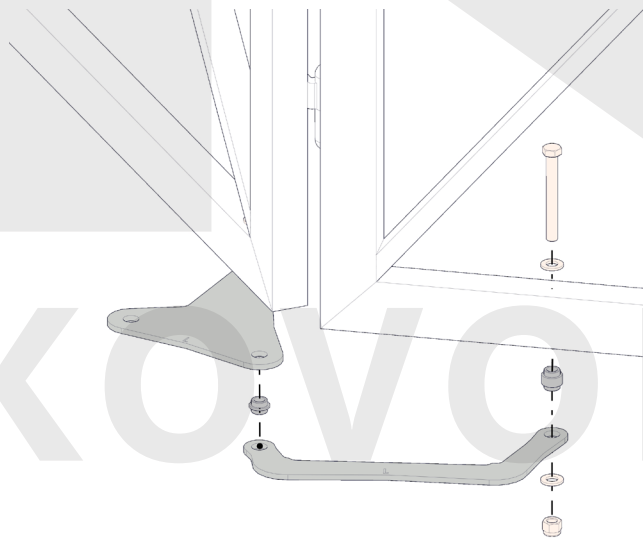
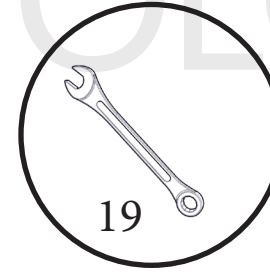
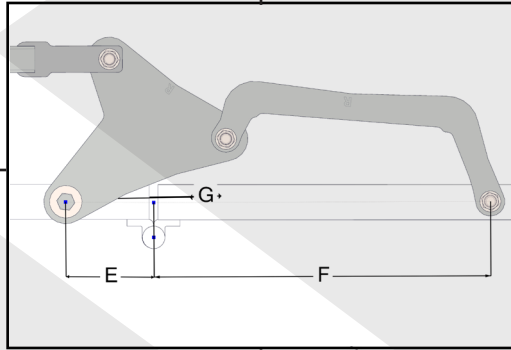
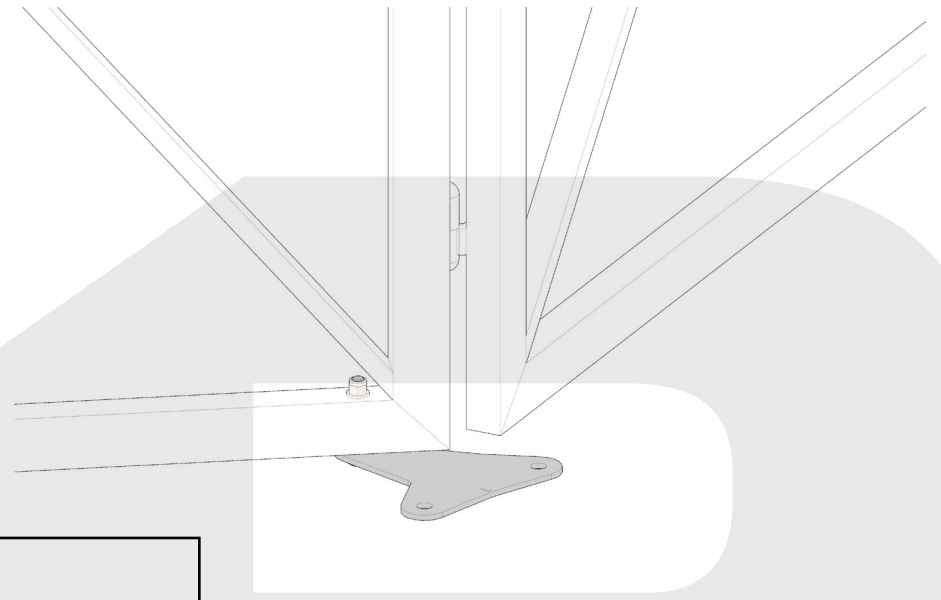
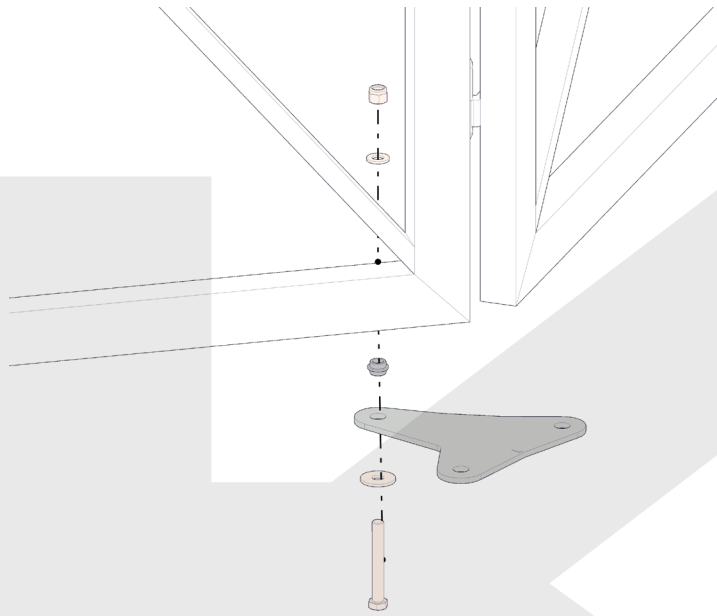
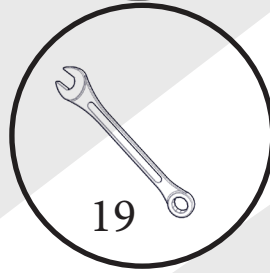
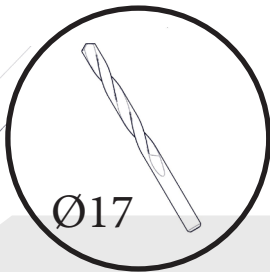
M12x35

M12x95



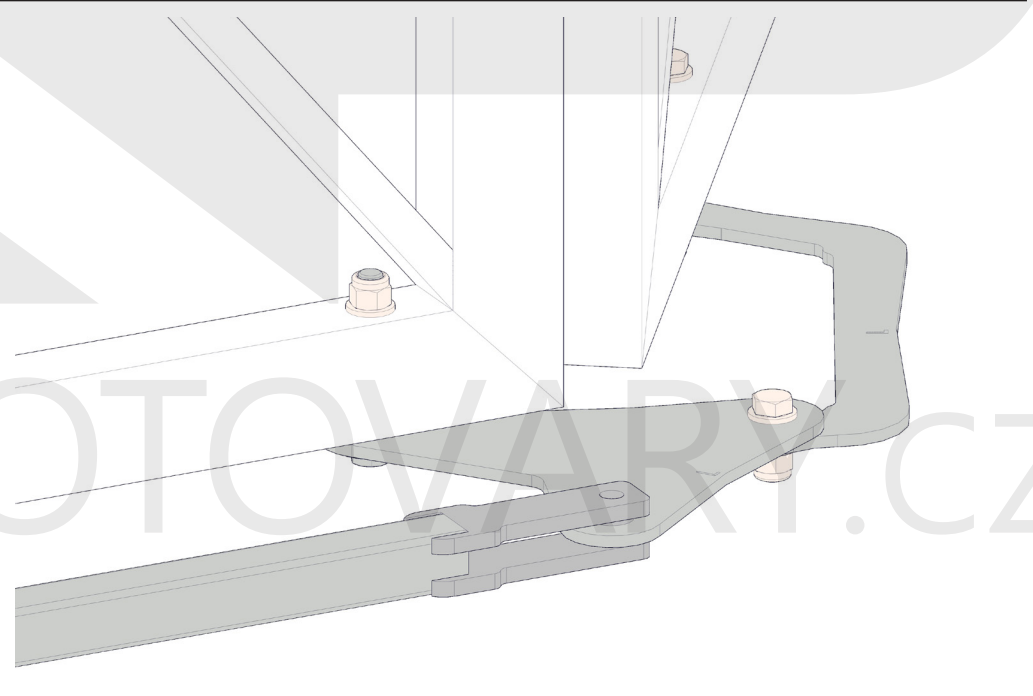
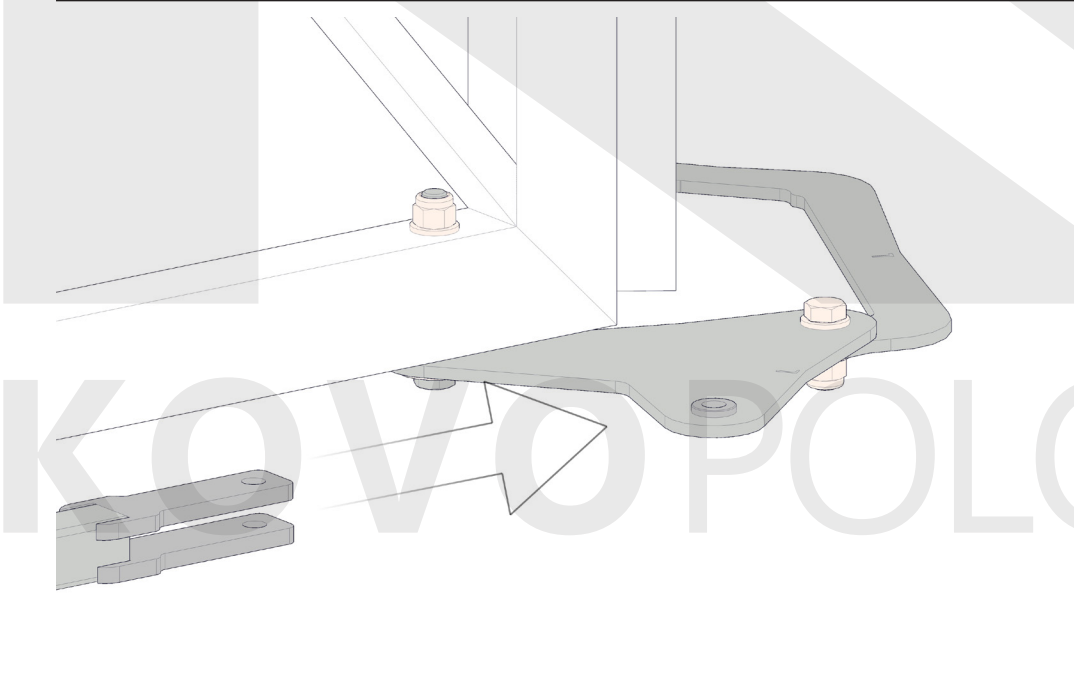
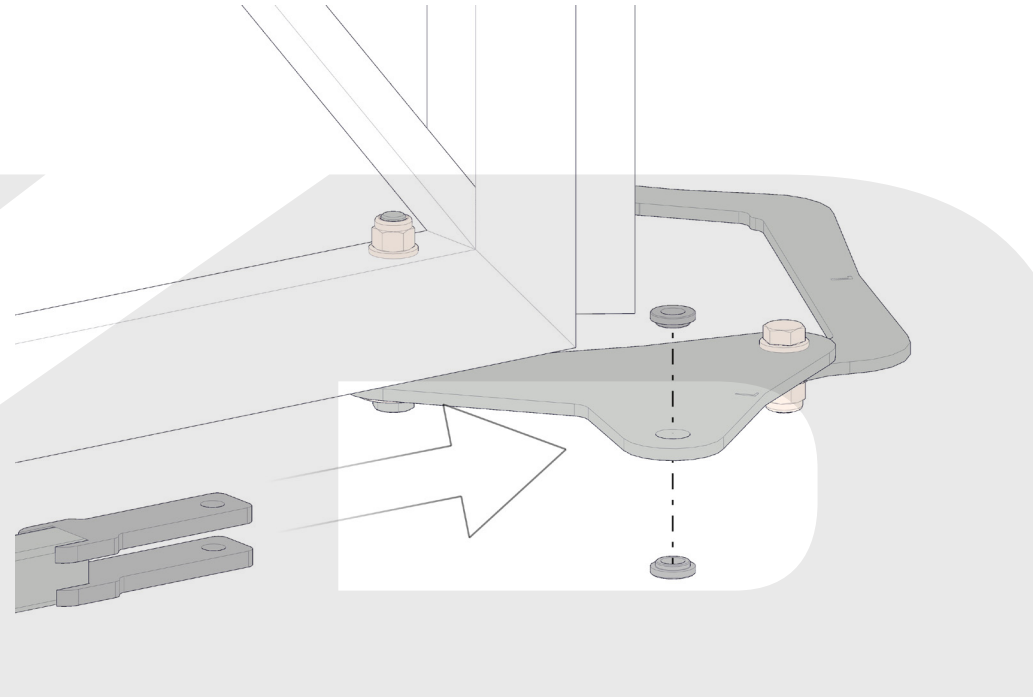
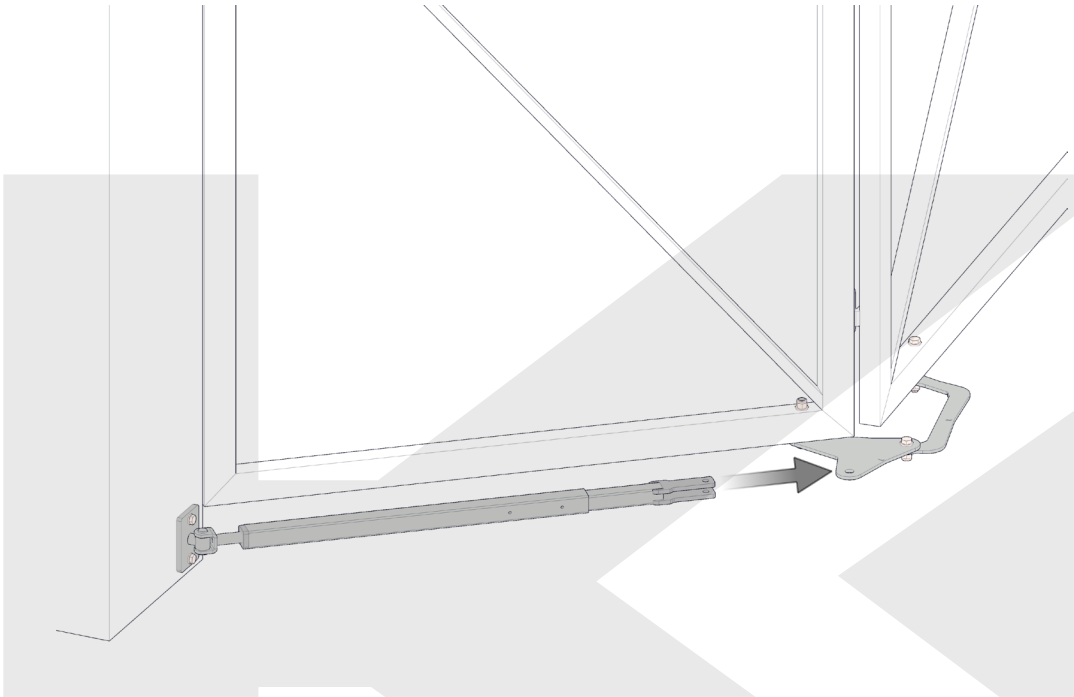
STEP 1 (B) - RIGHT

KOVOPOLOTOVARY.CZ



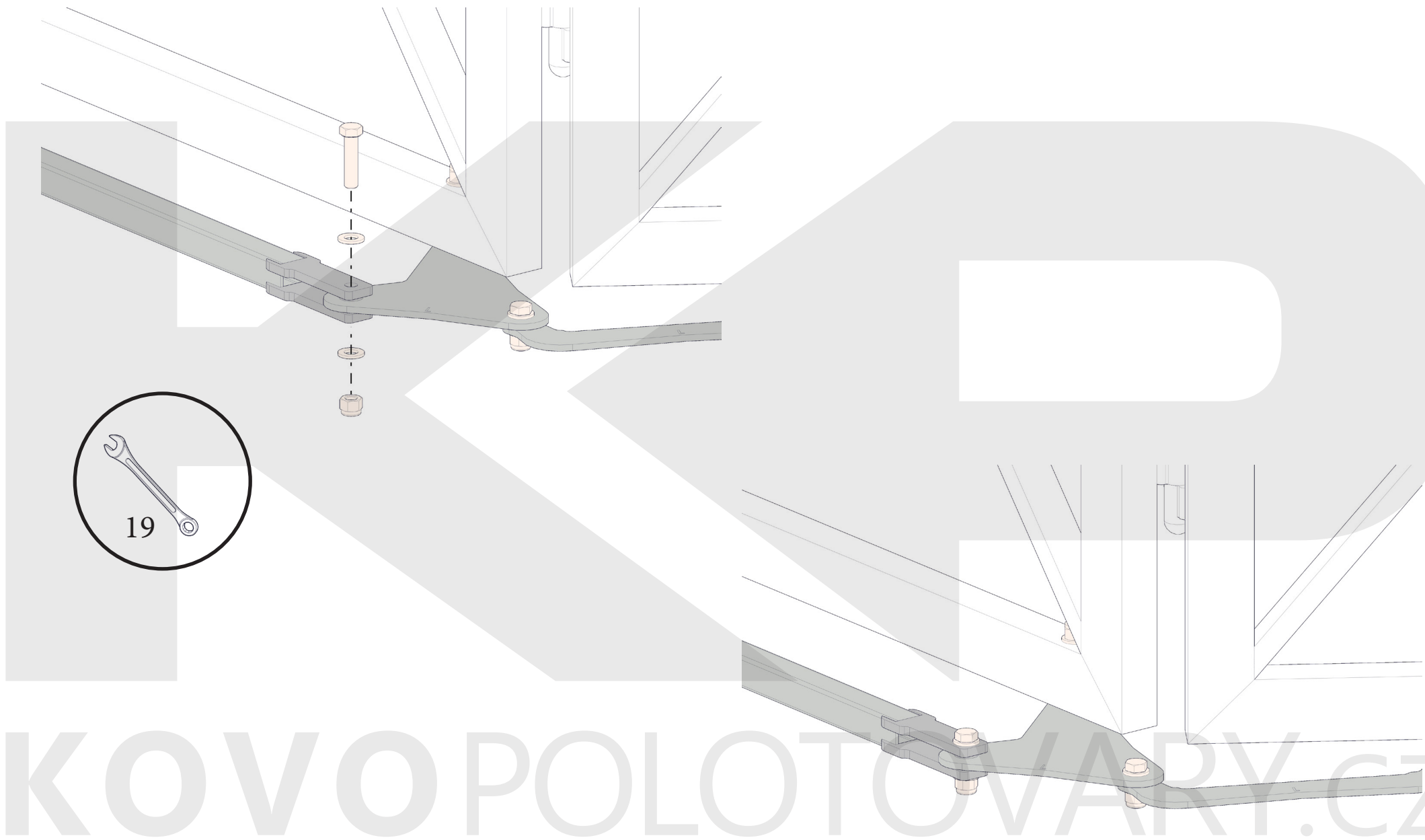
STEP 2

STEP 3

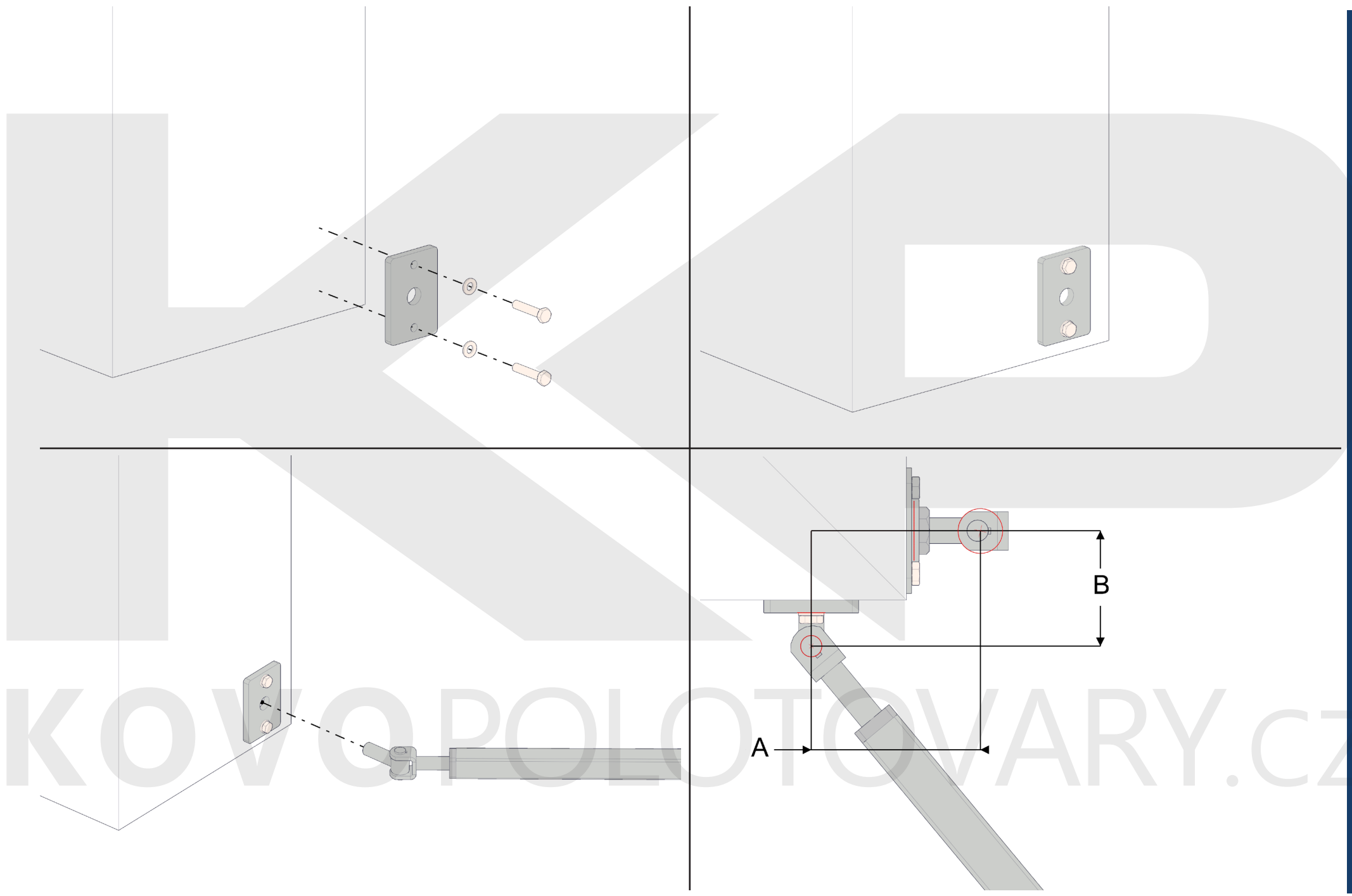


STEP 4

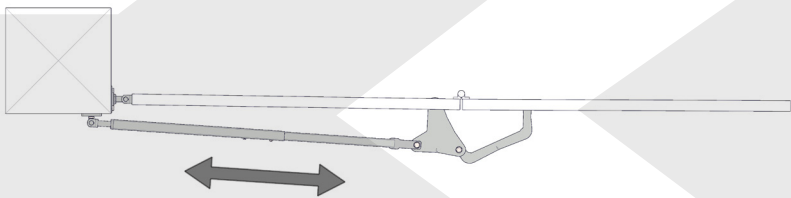
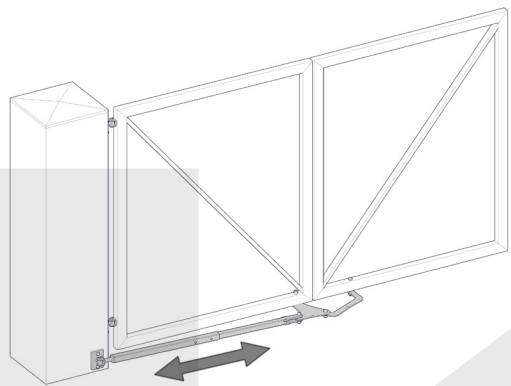
KOVOPOLOTOVARY.CZ



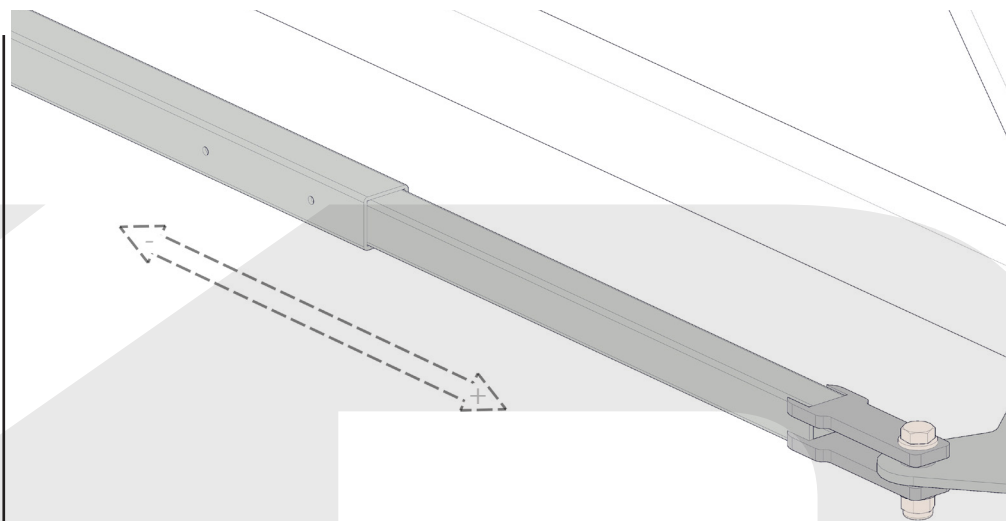
STEP 5



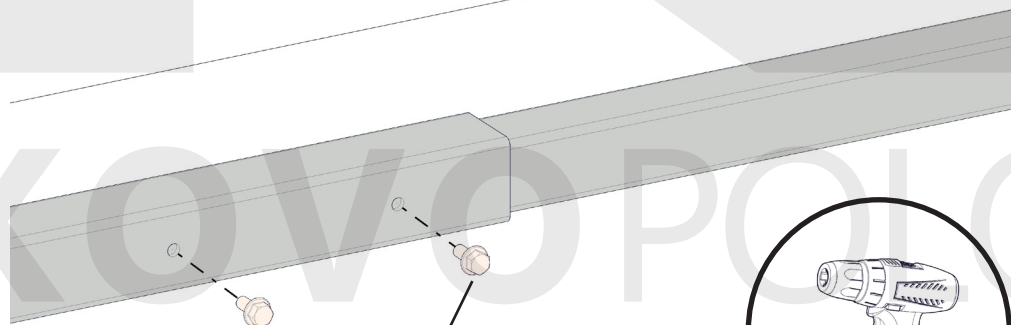
STEP 6



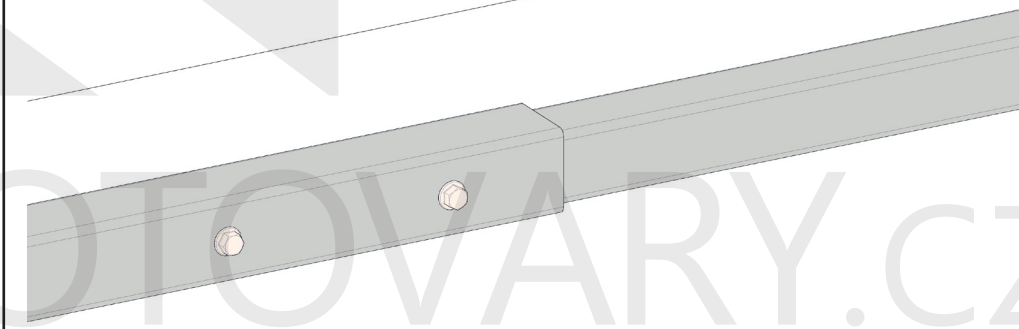
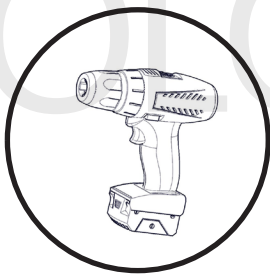
CLOSE



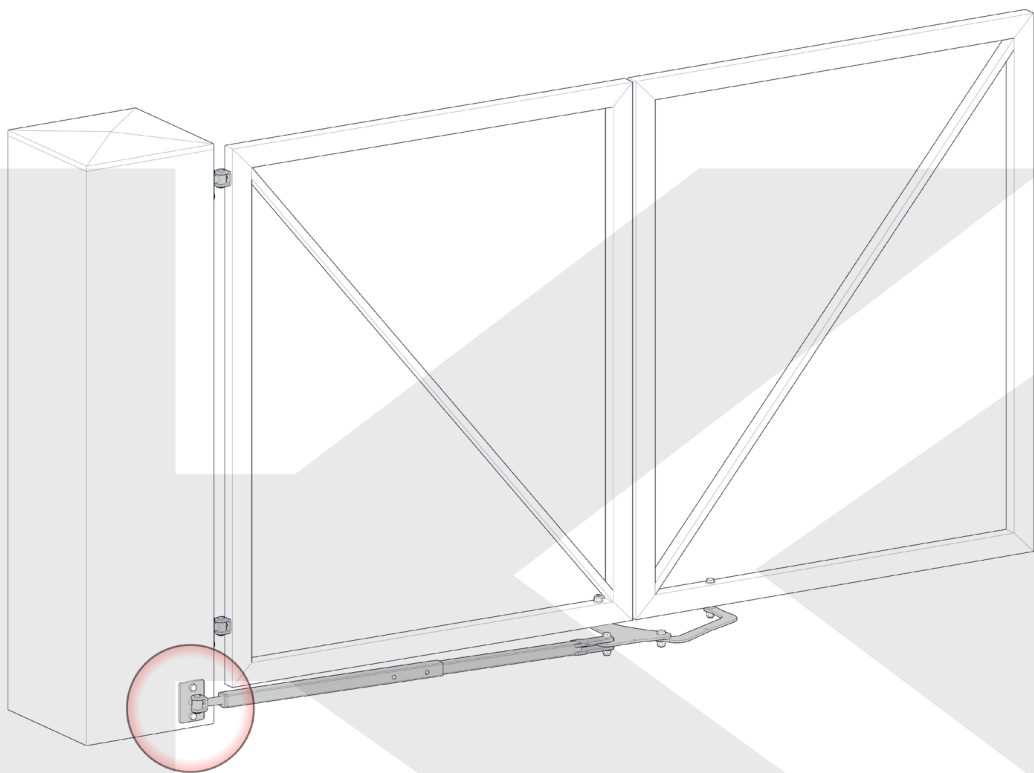
STEP 7



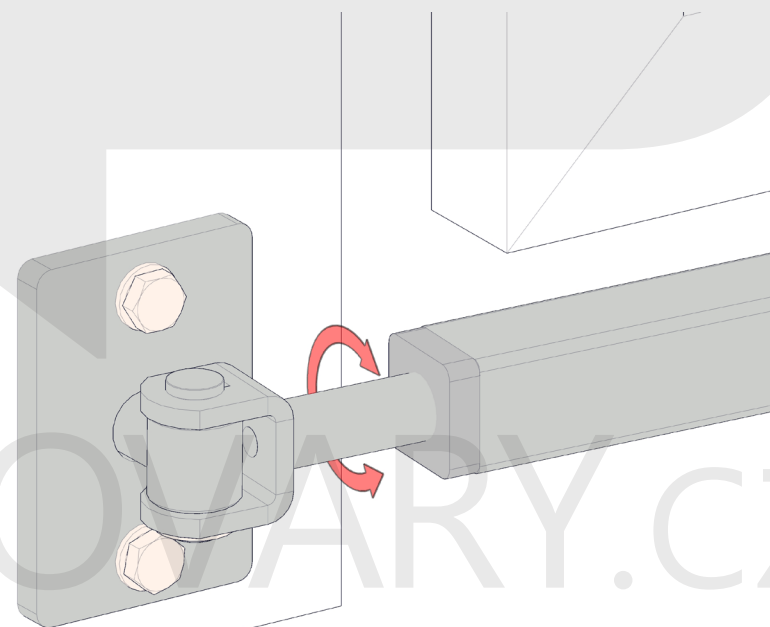
M6,3X19



STEP 8

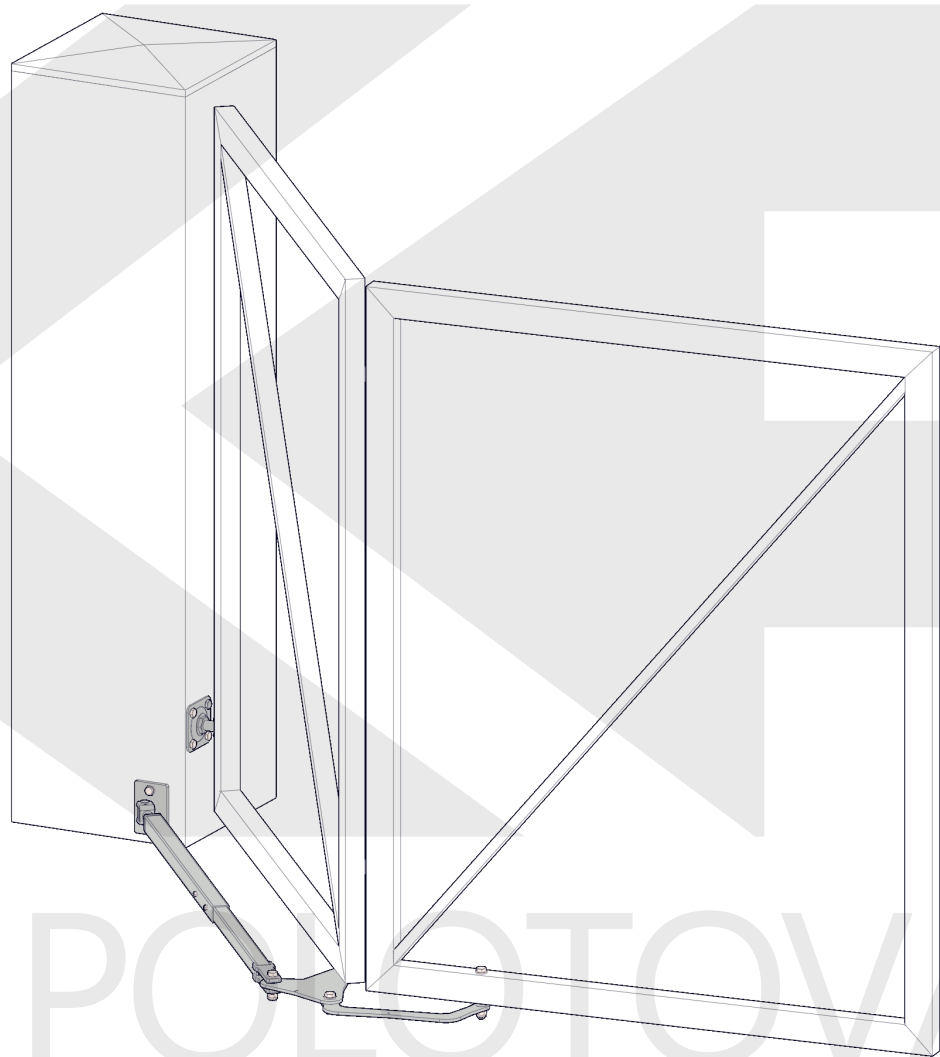


REGULATION



KOVO POLOTOVARY.CZ

STEP 9



KAP

KOVOPOLOTOVARY.CZ